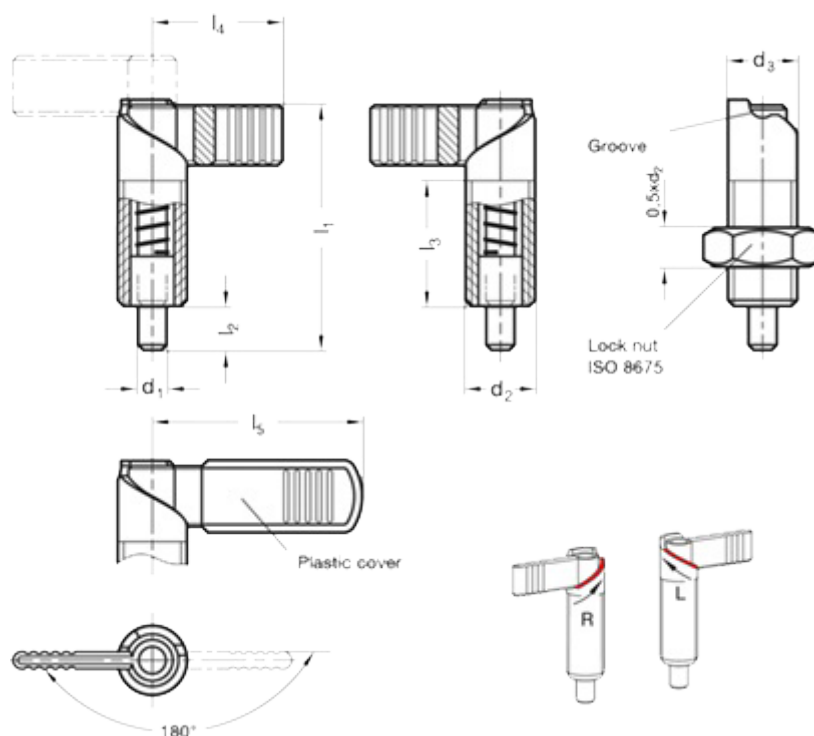


Article number: 20721610M2015LA  
Description: E+G indexing plunger  
GN 721.5-10-M20x1,5-LA

## Measures



d1 = 10  
d2 = M20x1.5  
d3 = 20  
l1 = 69  
l2 = 12  
l3 = 37  
l4 = 37  
l5 = -

Spring load in N end = 21  
Spring load in N top = 57  
Weight in (g) = 130